

APPLICATION:

PRODUCT NAME:  
**SINGLE BASE WALL MOUNT  
WITH 3/8" NPT RIGID OUTLET**

JOB NAME:

\_\_\_\_\_ SPECIAL CONFIGURATION  
(CHECK BASE MODEL AND OPTIONS)

QUANTITY:

ITEM NO.:

MODEL:

2461

OPTIONS OR MODIFICATIONS:

OTHER \_\_\_\_\_

FEATURES:

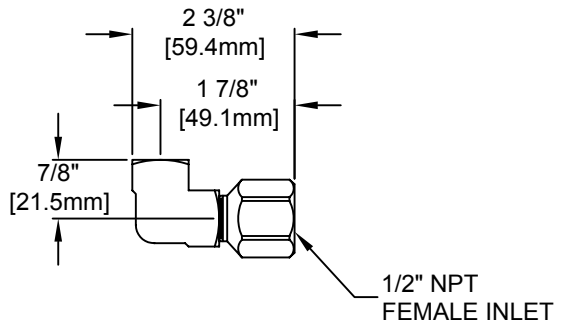
- \* WALL MOUNT
- \* 3/8" NPT FEMALE OUTLET
- \* 1/2" NPT FEMALE INLET
- \* PLATED CHROME BODY

SYSTEM LIMITS

- \* TEMP: 40°F MIN. TO 140° MAX.
- \* PRESSURE: 200 PSI MAX. STATIC

SHIPPING WEIGHT

- \* 0.5 LBS



ROUGH-IN:

